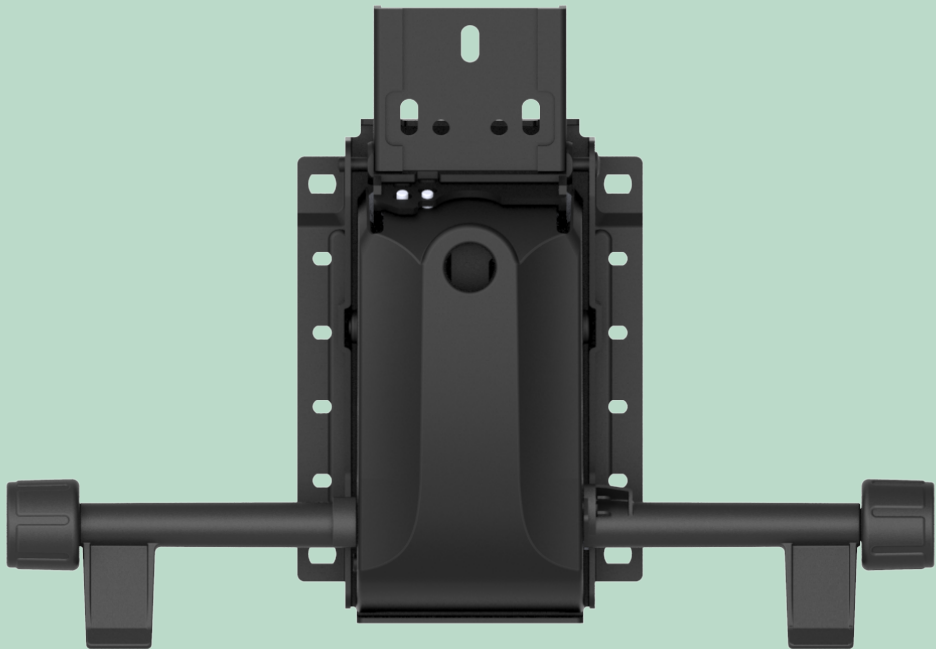


SUSCOM

MECHANISM



SUSCOM | ABOUT US

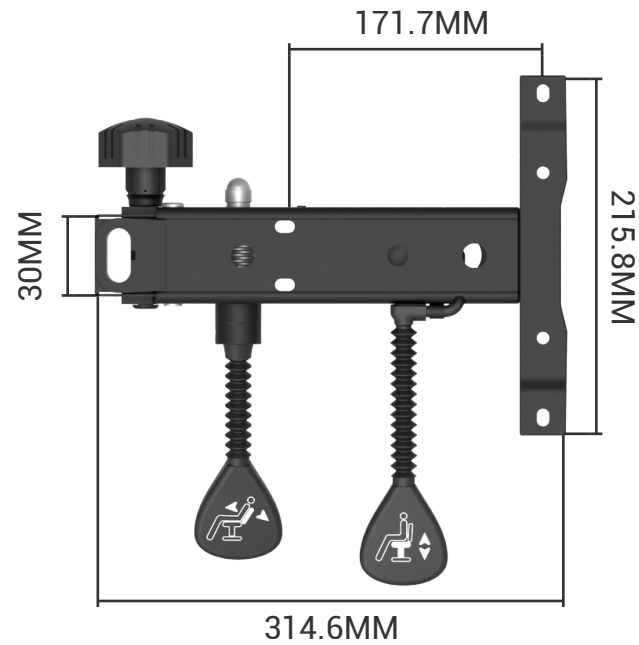
At Suscom we focus and strive to meet our client's demands, for this reason, our in-house facilities allow us to be flexible and give us greater control over quality.

We believe that design and innovation is the key to our success. Our new production facilities is the first of its kind, with the option of automated castor fitting allowing us to tailor each product to suit our clients requirements.

As a company focused on lowering our environmental impact, it is important that our products also incorporate and reflect this ethos. With all of this in mind we have modified and updated many products to make them 100% recyclable.



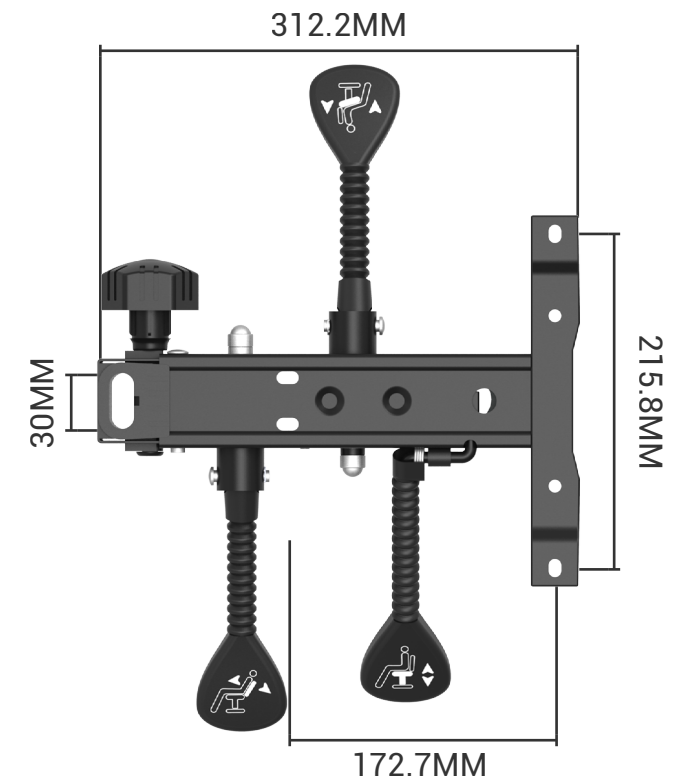
MEC | 2LEVER.STD



FEATURES

- Seat height control
- Back height adjustment
- Back angle adjustment 0° to 8° forward & 0° to 20° backward
- Infinite locking positions
- EN tested

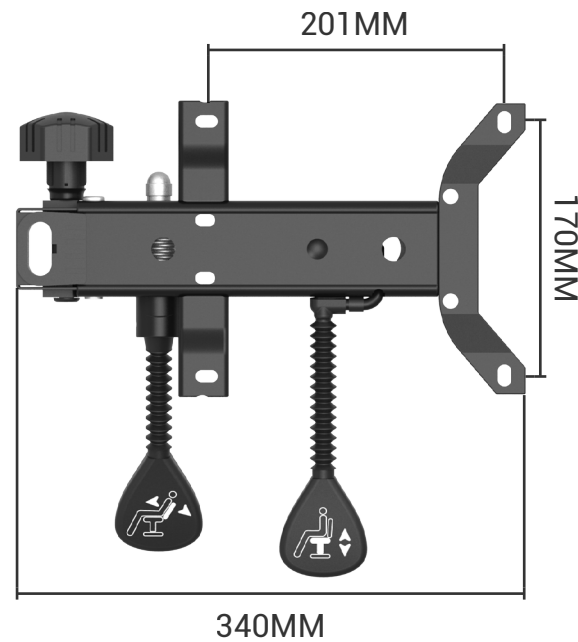
MEC | 3LEVER.STD



FEATURES

- Seat height control
- Back height adjustment
- Back angle adjustment 0° to 13° forward & 0° to 20° backward
- Seat angle adjustment 0° to 3°
- Infinite locking positions
- Independent Seat & Back
- EN tested

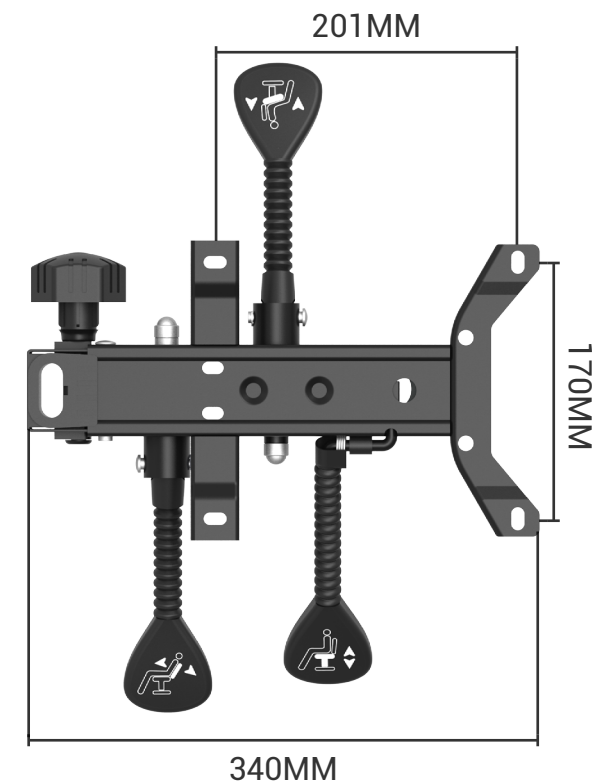
MEC | 2LEVERPUEURO



FEATURES

- Seat height control
- Back height adjustment
- Back angle adjustment 0° to 8° forward & 0° to 20° backward
- Infinite locking positions
- EN tested

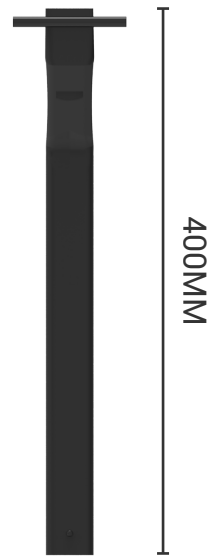
MEC | 3LEVERPUEURO



FEATURES

- Seat height control
- Back height adjustment
- Back angle adjustment 0° to 13° forward & 0° to 20° backward
- Seat angle adjustment 0° to 3°
- Infinite locking positions
- Independent Seat & Back
- EN tested

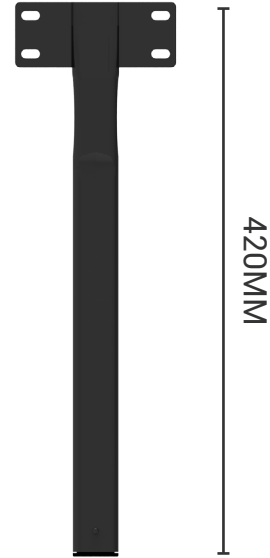
MEC | ACCESSORIES



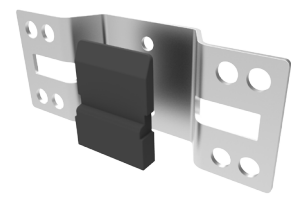
MEC-BB01



MEC-BB02



MEC-BB03



PART OPTIONS BB01

- FP.NX06 plate only
- FP-NX06.PL with rubber insert
- 80/100mm x 30mm hole centres

FEATURES

- Black powder coated finish
- Works with oval tube mechanism



PU BRACKET FOR BB02

- PU-BACK.BRK.C - Plastic Bracket
- PU-BACK.BRK100 - Steel Bracket
- PU-BACK.COV.100 - Plastic Cover
- 100mm hole centres

BB03

- 100mm x 30mm hole centres

MEC | ACCESSORIES



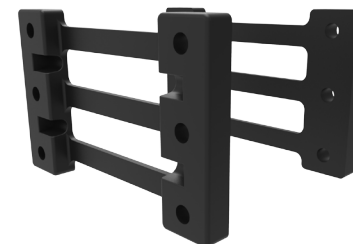
MEC-IS.BRC01



MEC-BELL.BRC26



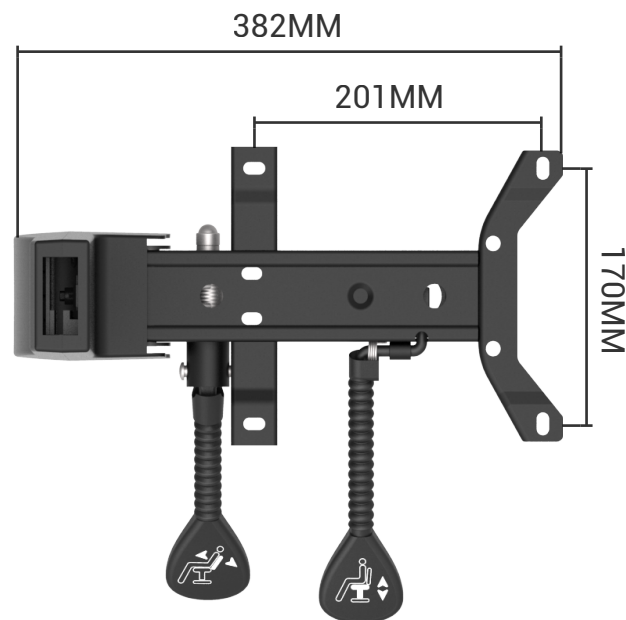
MEC-IS.BRC55
(FOR PU)



MEC - BRK.01

- 100mm x 30mm hole centres
- Spacer bracket for any backbar

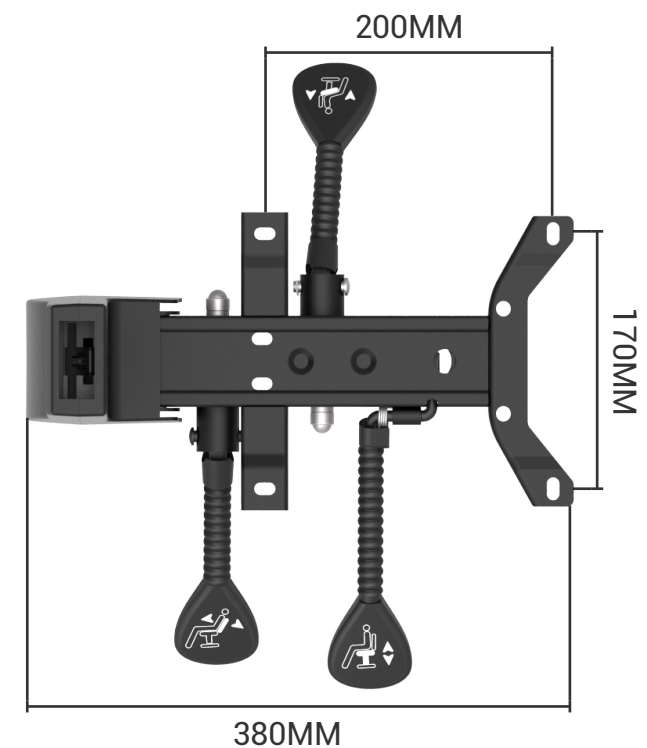
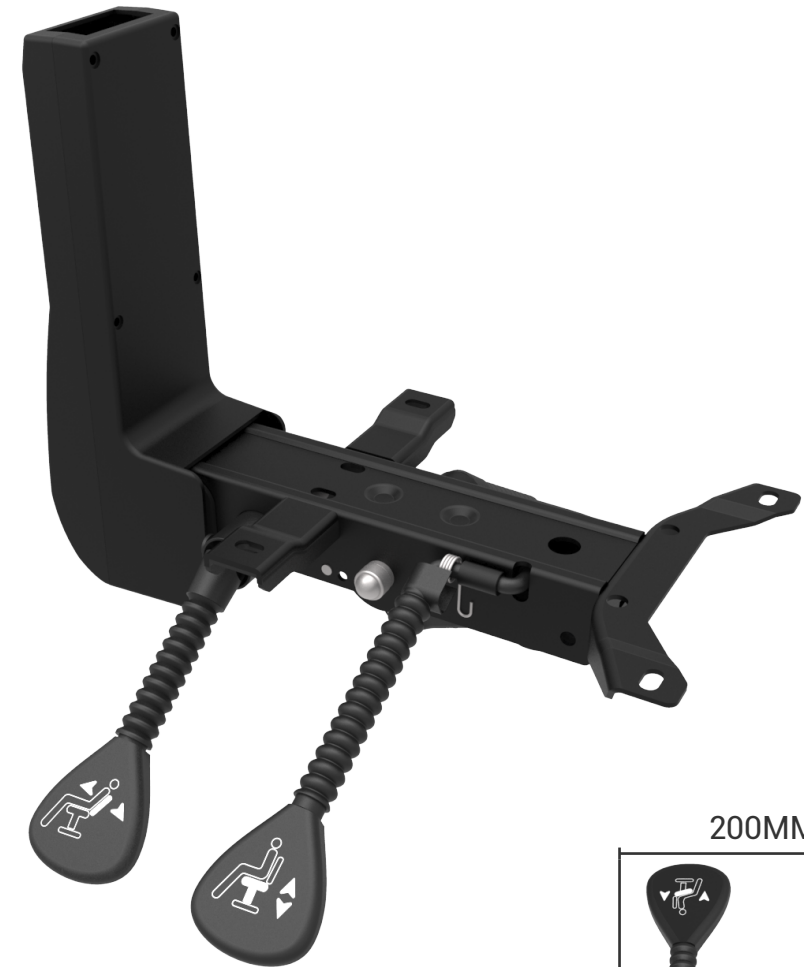
MEC | 2LEVER.RA



FEATURES

- Seat height control
- Ratchet back height adjustment
- Back angle adjustment 0° to 8° forward & 0° to 20° backward
- Seat angle adjustment
- Infinite locking positions
- EN tested

MEC | 3LEVER.RA



FEATURES

- Seat height control
- Ratchet back height adjustment
- Back angle adjustment 0° to 13° forward & 0° to 20° backward
- Seat angle adjustment 0° to 3°
- Infinite locking positions
- Independent Seat & Back
- EN tested

MEC | 2LEVER.RA.HD



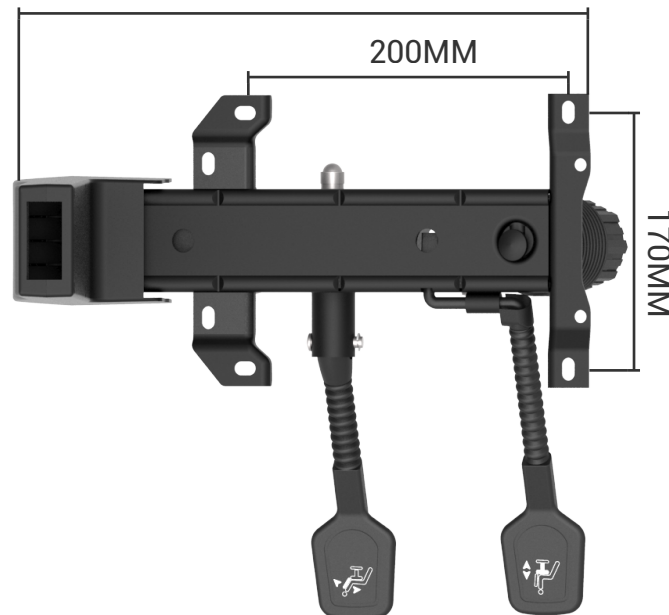
411.5MM

200MM

170MM

FEATURES

- Seat height control
- Tension control knob
- Ratchet back height adjustment
- Syncro movement
- Back angle adjustment 0° to 7° forward & 0° to 20° backward
- Seat angle adjustment
- Infinite locking positions
- BS tested



MEC | 3LEVER.RA.HD



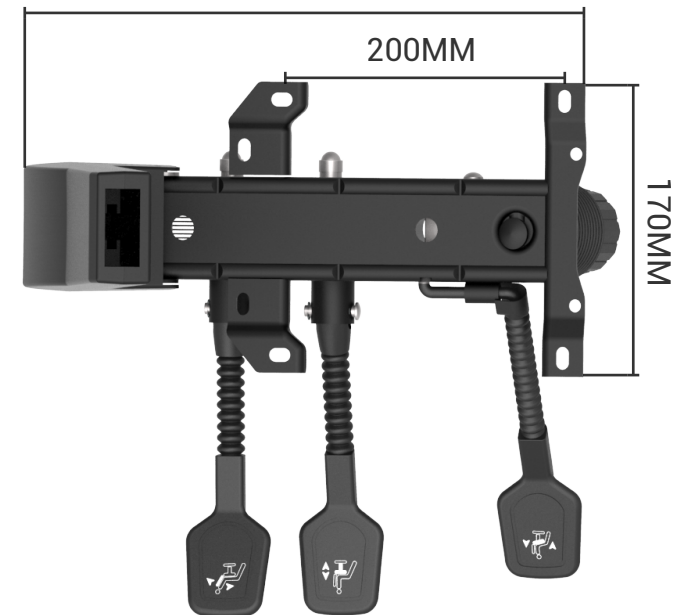
411MM

200MM

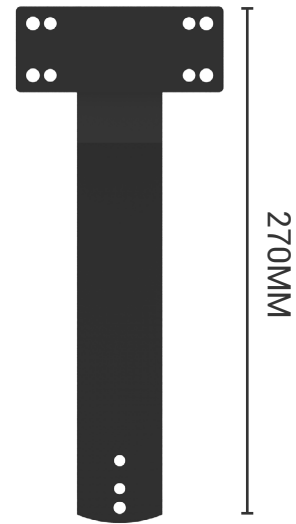
170MM

FEATURES

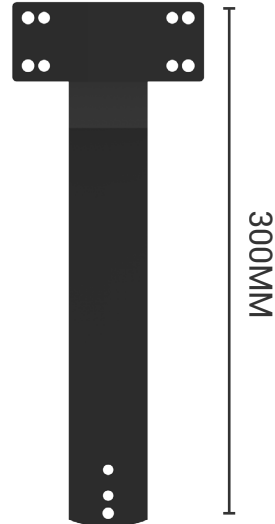
- Seat height control
- Tension control knob
- Ratchet back height adjustment
- Back angle adjustment 0° to 13° forward & 0° to 20° backward
- Seat angle adjustment 0° to 3°
- Infinite locking positions
- Independent Seat & Back
- BS tested



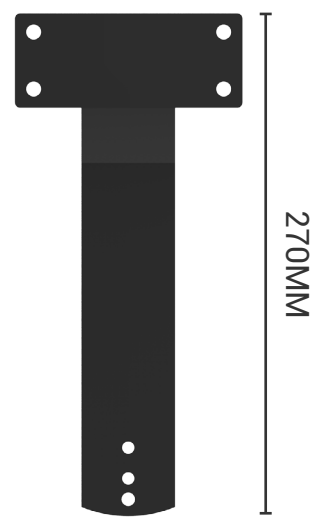
MEC | BACKBARS



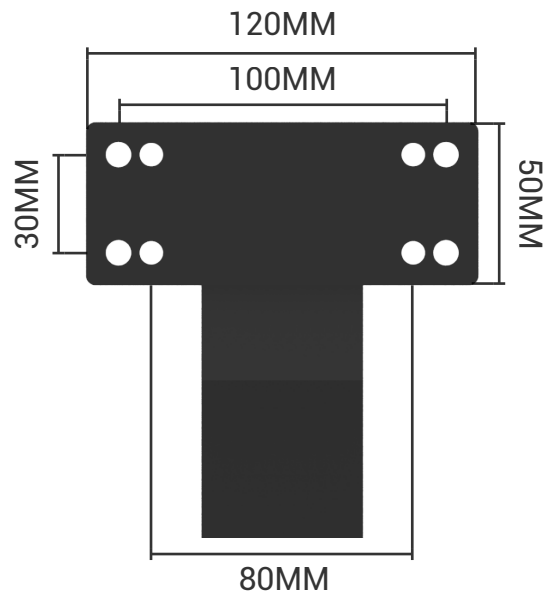
MEC-BB.RA.270



MEC-BB.RA.300

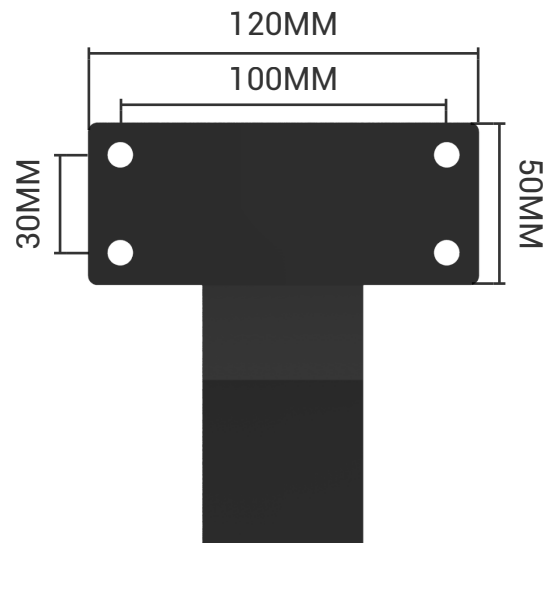


MEC-BB.RA.ERGO



FEATURES

- Black powder coated finish
- Works with ratchet mechanism



ERGO

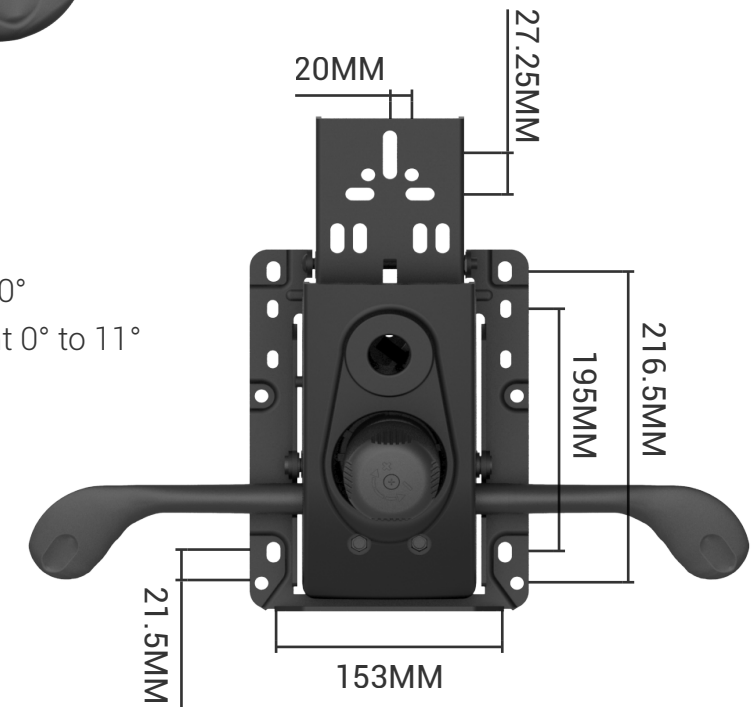
- Slim degree angle to allow to be used in narrow backs

MEC | NS2002.6



FEATURES

- Lever operated back rest
- Height adjustment control
- Back angle adjustment 0° to 20°
- Syncro seat angle adjustment 0° to 11°
- Weight adjustment
- Ratio seat to back 1:2
- Syncro mechanism
- Black power coat finish with nylon lever handles
- BIFMA tested

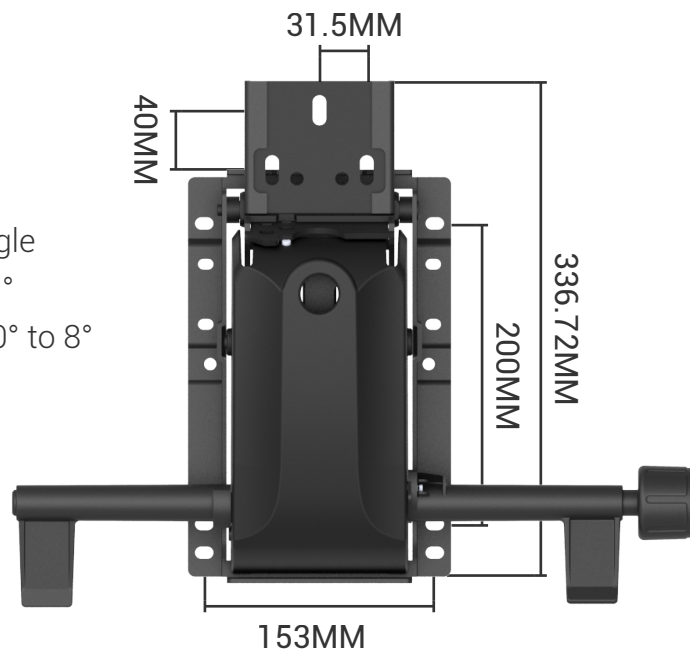


MEC | M1



FEATURES

- Lever operated back rest
- Weight adjustment for back angle
- Back angle adjustment 0° to 21°
- Syncro seat angle adjustment 0° to 8°
- Ratio seat to back 1:2
- Syncro mechanism
- Black power coat finish with nylon lever handles
- BIFMA tested

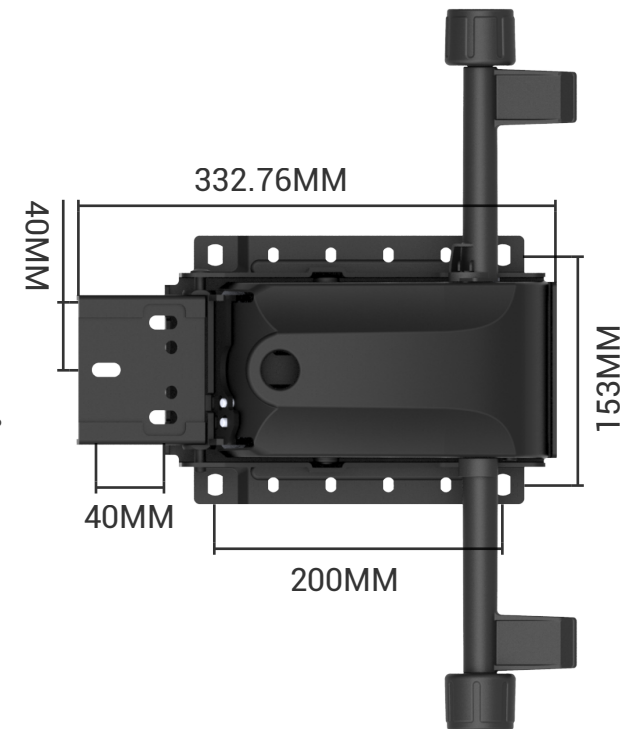


MEC | M1.SS



FEATURES

- Lever operated back rest
- Weight adjustment for back angle
- Back angle adjustment 0° to 21°
- Syncro seat angle adjustment 0° to 8°
- Seat slide travel 50mm
- Ratio seat to back 1:2
- Syncro mechanism
- Black power coat finish with nylon lever handles
- BIFMA tested

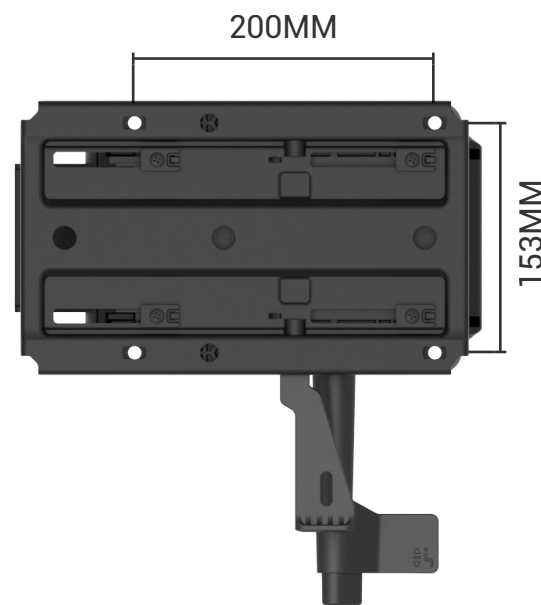


MEC | SELF1.SS



FEATURES

- Lever operated back rest
- Height adjustment control
- Back angle adjustment 0° to 21°
- Syncro seat angle adjustment 0° to 6°
- Seat slide travel 50mm
- Weight sensitive
- Syncro mechanism
- Black power coat finish with nylon lever handles
- BIFMA tested

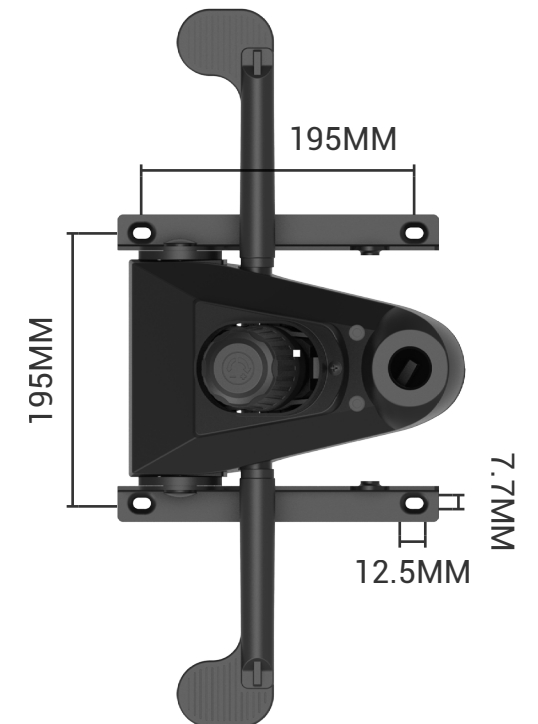


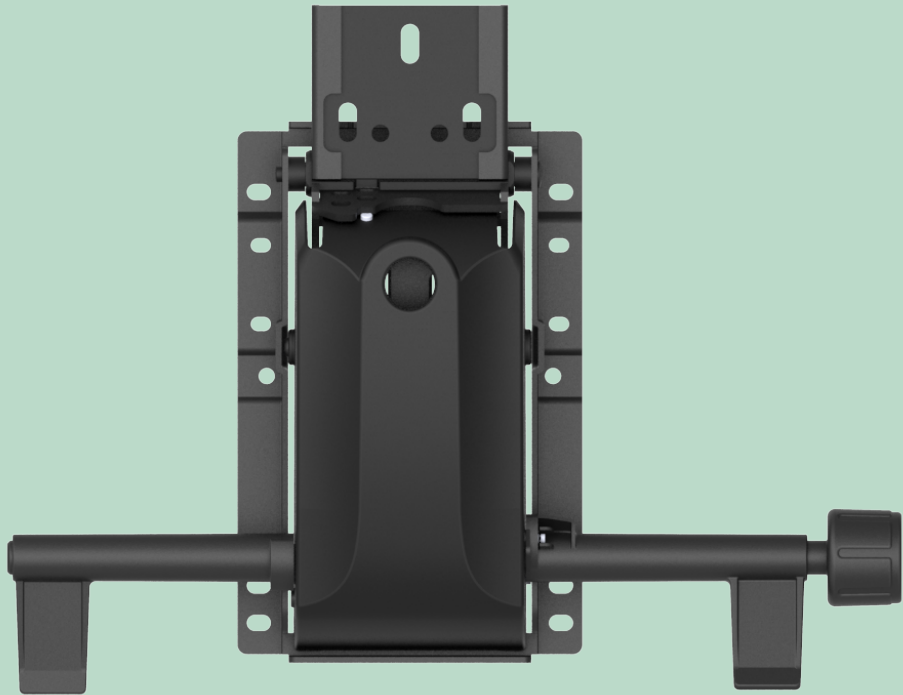
MEC | TILT.KN1



FEATURES

- Knee Tilt Mechanism
- Weight Tension Control
- Tilt Lock
- Seat Height Control
- Seat angle adjustment 0° to 16°





Suscom Industries Ltd.

Unit 8 Leopold Street | Lamberhead Ind. Estate
Pemberton | Wigan | WN5 8DH | United Kingdom

Web | www.suscom-ind.co.uk

Telephone | +44 (0)1942 221133

Email | sales@suscom-ind.co.uk

