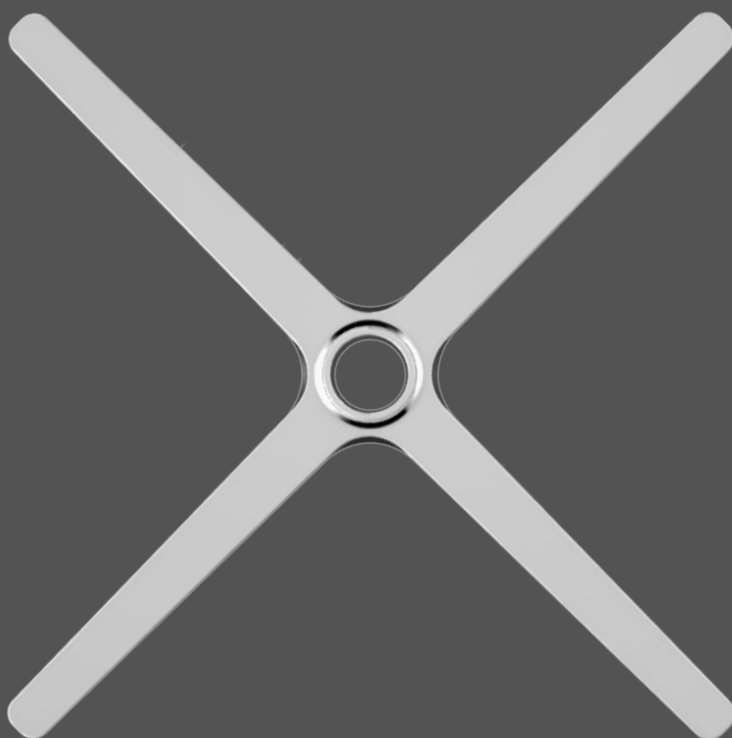


SUSCOM

LOUNGE

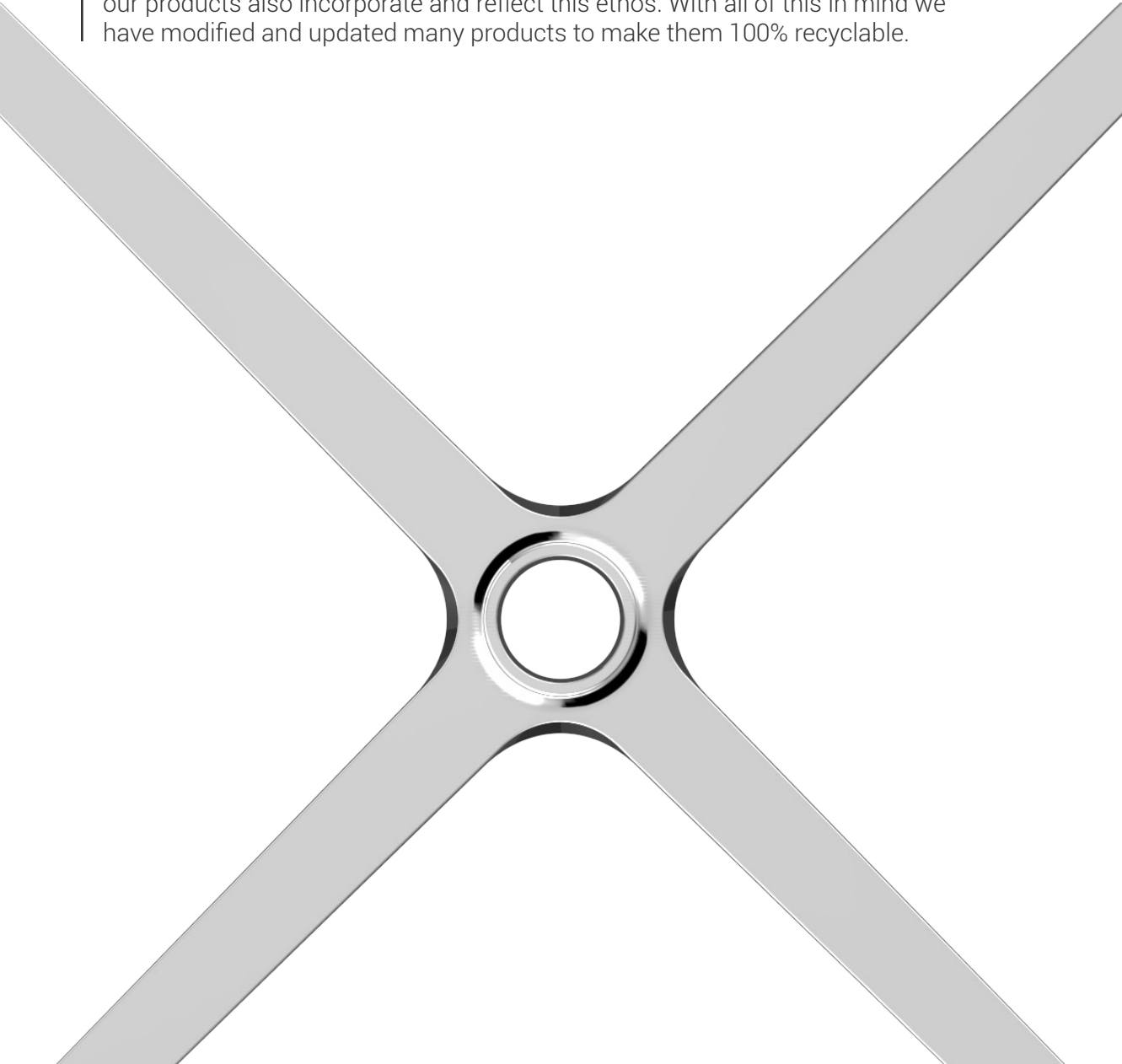


SUSCOM | ABOUT US

At Suscom we focus and strive to meet our client's demands, for this reason, our in-house facilities allow us to be flexible and give us greater control over quality.

We believe that design and innovation is the key to our success. Our new production facilities is the first of its kind, with the option of automated castor fitting allowing us to tailor each product to suit our clients requirements.

As a company focused on lowering our environmental impact, it is important that our products also incorporate and reflect this ethos. With all of this in mind we have modified and updated many products to make them 100% recyclable.



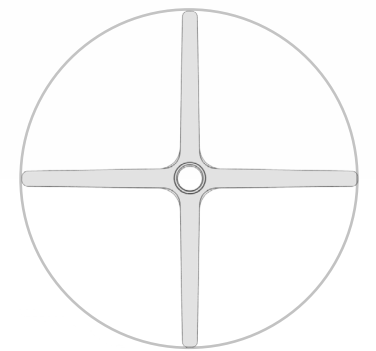
BAS | 4 STAR 660



FEATURES

- Polished aluminium finish
- Rubber feat as standard
- 50mm cone
- BIFMA tested
- Luxury design for lounge or conference applications

660MM



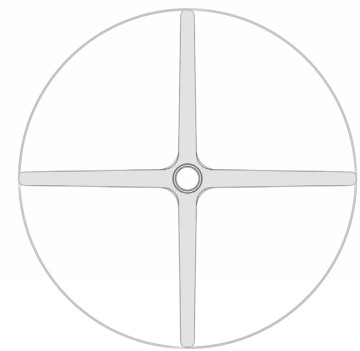
82.9MM



BAS | 4 STAR 720



720MM



82.3MM



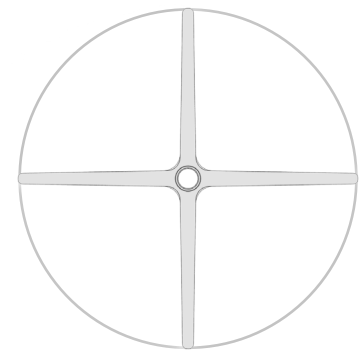
FEATURES

- Polished aluminium finish
- Rubber feat as standard
- 50mm cone
- BIFMA tested
- Luxury design for lounge or conference applications

BAS | 4 STAR 830



830MM



91.43MM



FEATURES

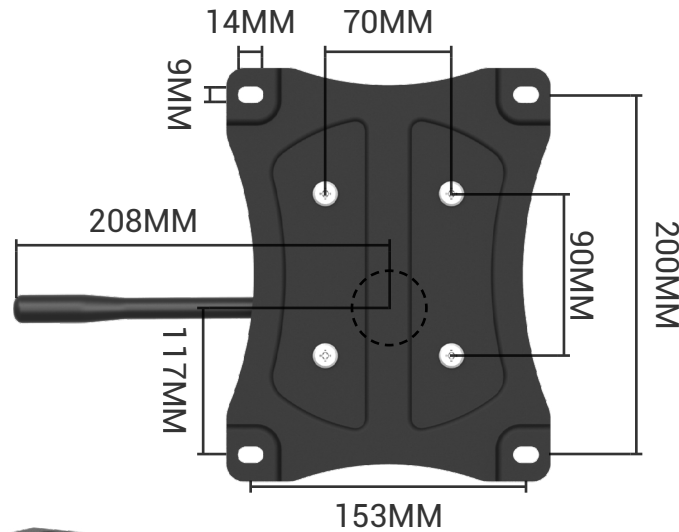
- Polished aluminium finish
- Rubber feat as standard
- 50mm cone
- BIFMA tested
- Luxury design for lounge or conference applications

MEC | COMPACT



FEATURES

- Simple tilt mechanism
- Optional 1 lock version
- Starting angle backward 2.5°
- Can be fitted from forward 4° to backward 8.5°
- Polished aluminium finish (Other finishes available)

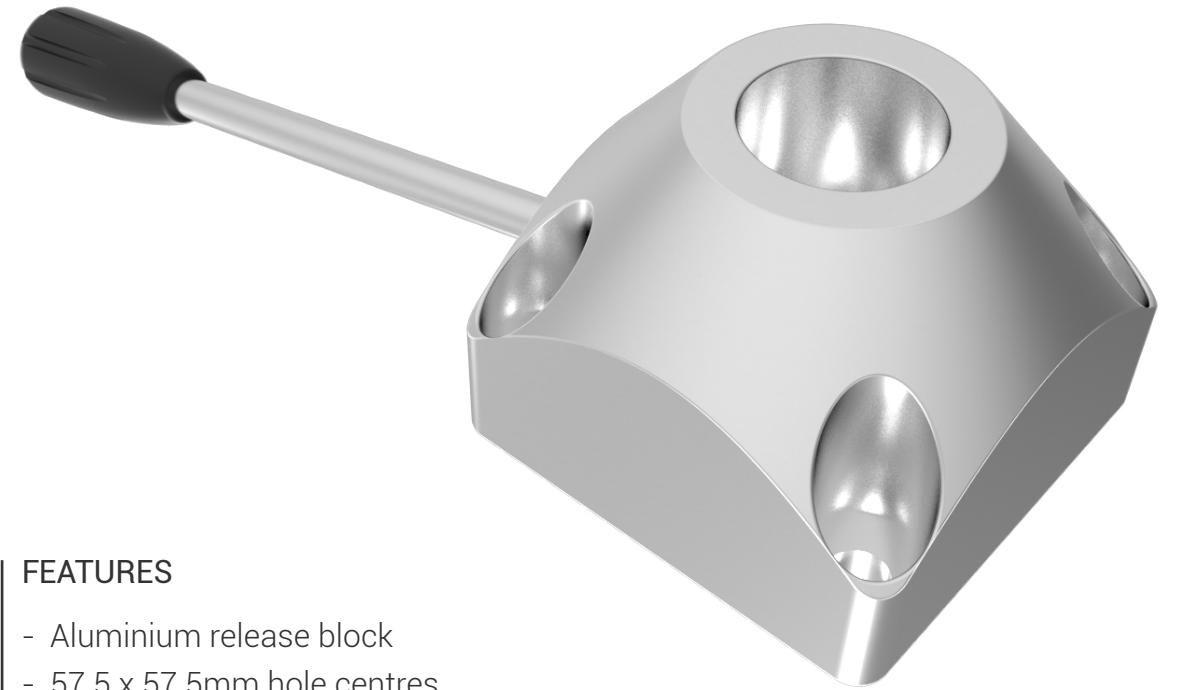


PART NUMBERS

- MEC-COMPACT | Mechanism
- MEC-COMPACT.L | Locking Function
- MEC-COMPACT.PLATE | Mechanism Plate

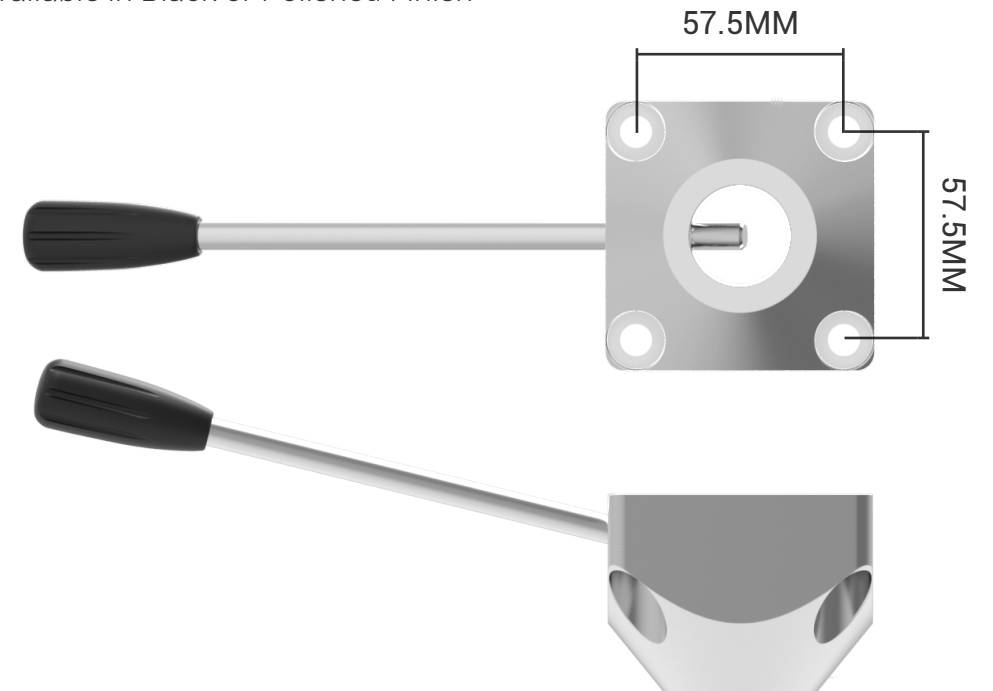


MEC | REM

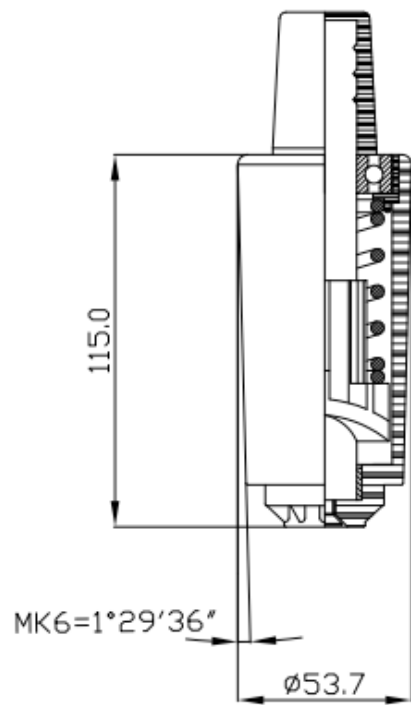


FEATURES

- Aluminium release block
- 57.5 x 57.5mm hole centres
- Useful for a variety of applications
- With lever for gas height adjustment
- Available in Black or Polished Finish



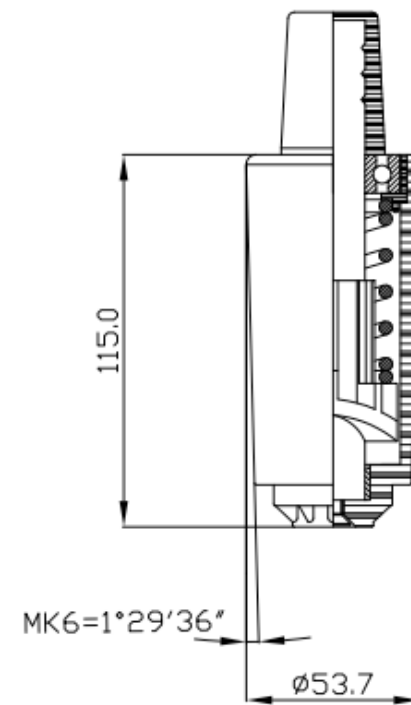
SPN | SW.A350



FEATURES

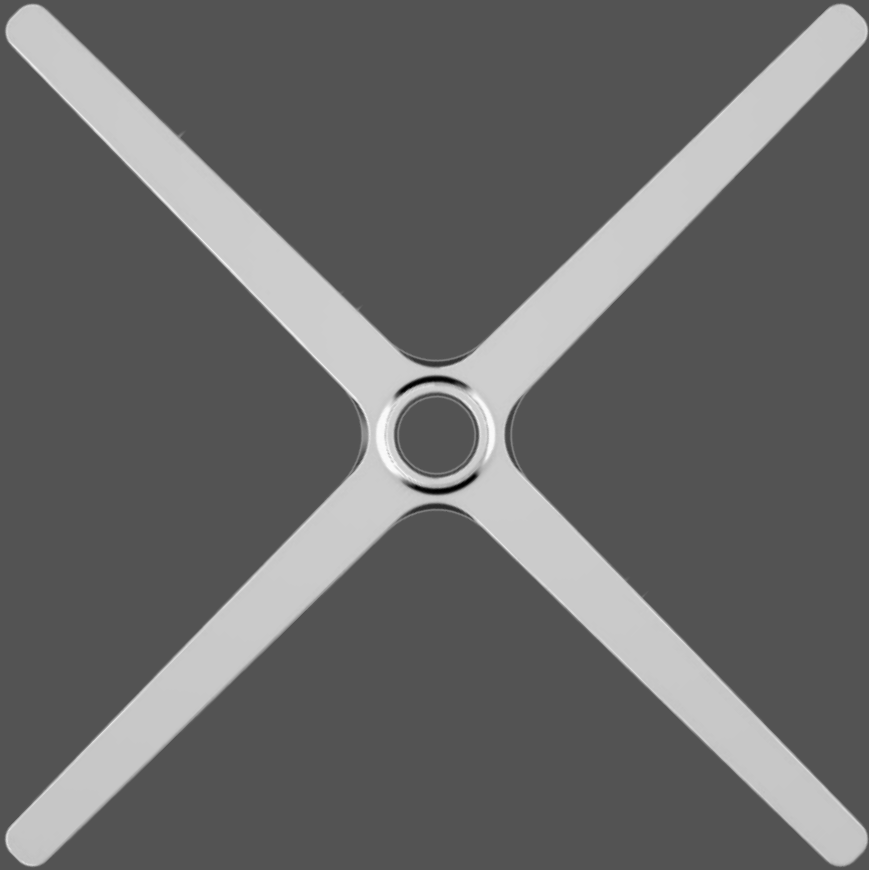
- Swivel only
- Needs to be assembled in a metal tube Ø50 Ø50.8mm
- Composite material
- Available in black

SPN | AUT.A351



FEATURES

- Auto return
- Needs to be assembled in a metal tube Ø50 Ø50.8mm
- Composite material
- Available in black



Suscom Industries Ltd.

Unit 8 Leopold Street | Lamberhead Ind. Estate
Pemberton | Wigan | WN5 8DH | United Kingdom

Web | www.suscom-ind.co.uk

Telephone | +44 (0)1942 221133

Email | sales@suscom-ind.co.uk

