

SUSCOM

FOOT RINGS



SUSCOM | ABOUT US

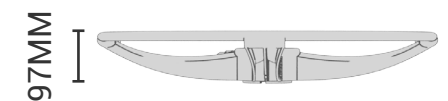
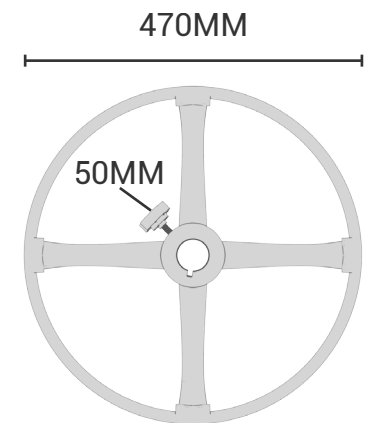
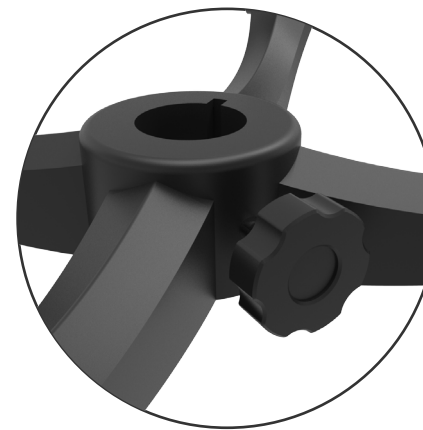
At Suscom we focus and strive to meet our client's demands, for this reason, our in-house facilities allow us to be flexible and give us greater control over quality.

We believe that design and innovation is the key to our success. Our new production facilities is the first of its kind, with the option of automated castor fitting allowing us to tailor each product to suit our clients requirements.

As a company focused on lowering our environmental impact, it is important that our products also incorporate and reflect this ethos. With all of this in mind we have modified and updated many products to make them 100% recyclable.



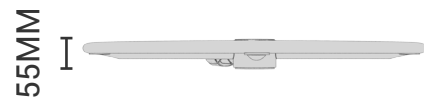
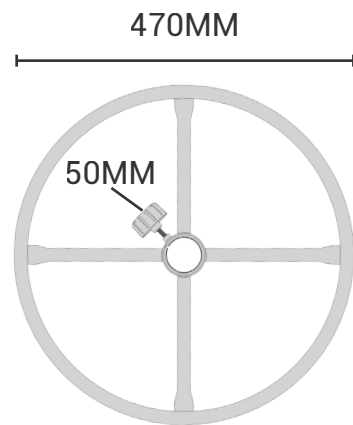
FR | 1



FEATURES

- Nylon, glass fibre cross section
- Chrome steel ring
- Nylon locking wheel

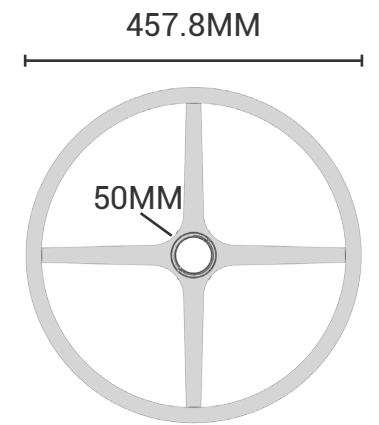
FR | 2



FEATURES

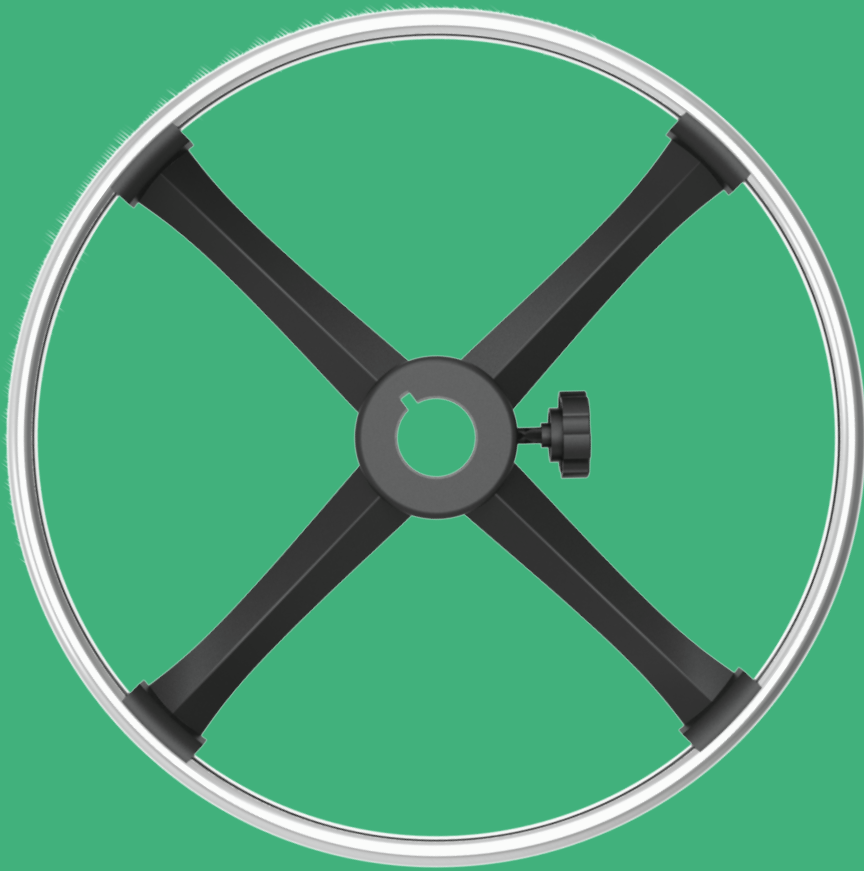
- Fine finish black powder coat cross section
- Chrome steel ring
- Nylon locking wheel

FR | 4B



FEATURES

- Sandblasted alloy with fine finish black powder coat cross section
- Fine finish black powder coated steel ring
- Nylon twist lock mechanism



Suscom Industries Ltd.

Unit 8 Leopold Street | Lamberhead Ind. Estate
Pemberton | Wigan | WN5 8DH | United Kingdom

Web | www.suscom-ind.co.uk

Telephone | +44 (0)1942 221133

Email | sales@suscom-ind.co.uk

