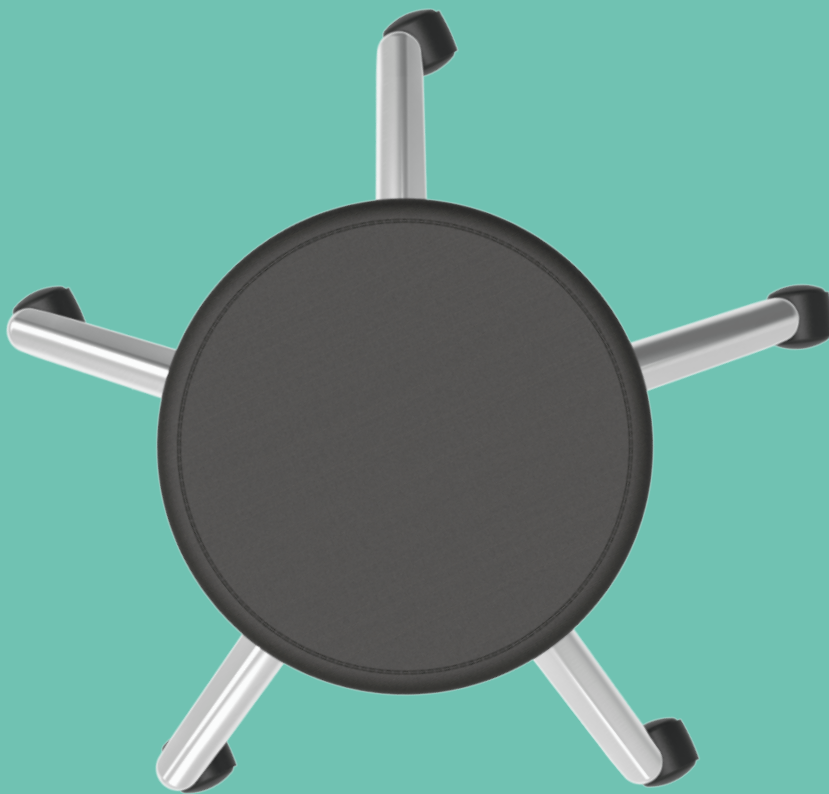


SUSCOM

FOOT RELEASE



SUSCOM | ABOUT US

At Suscom we focus and strive to meet our client's demands, for this reason, our in-house facilities allow us to be flexible and give us greater control over quality.

We believe that design and innovation is the key to our success. Our new production facilities is the first of its kind, with the option of automated castor fitting allowing us to tailor each product to suit our clients requirements.

As a company focused on lowering our environmental impact, it is important that our products also incorporate and reflect this ethos. With all of this in mind we have modified and updated many products to make them 100% recyclable.



FOOT RELEASE

The Foot Release mechanism enables users to quickly and easily adjust the height of their seat without having to move around or touch any surfaces with their hands making it much easier for maintaining a sterile environment.



FOOT RELEASE

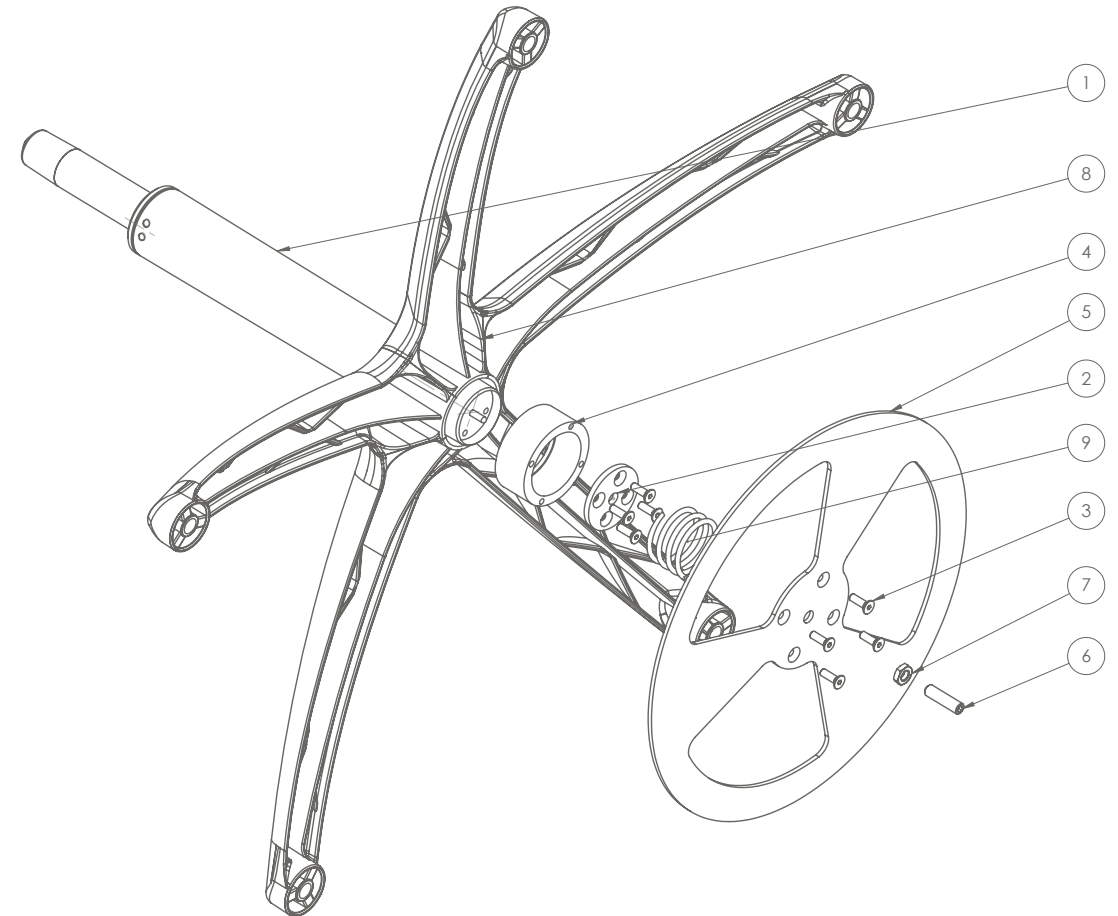


FEATURES

- Heights can be adjusted from the bottom or top
- Can be used on most bases
- Can be used in maintaining a sterile environment
- Other footplate designs available upon request
- Suitable for both chairs and tables
- Easy to assemble



BOM



ITEM NO	PART NUMBER	QUANTITY
1	Cylinder- KGF (Various sizes. Size to be chosen)	1
2	Keep Plate - FOOTR.B	1
3	M5X16MM COUNTER SUNK SCREW	8
4	Stepped Bush - FOOTR.BB	1
5	Foot Plate- FOOTR.FP	1
6	M8X30MM SCREW ADJUSTER	1
7	M8X3MM COUNTER HEX NUT 18	1
8	Base (Base not included)	1
9	30 mm Spring - FOOTR.SPRING	1



Suscom Industries Ltd.

Unit 8 Leopold Street | Lamberhead Ind. Estate
Pemberton | Wigan | WN5 8DH | United Kingdom

Web | www.suscom-ind.co.uk

Telephone | +44 (0)1942 221133

Email | sales@suscom-ind.co.uk

