

SUSCOM

BASICS



SUSCOM | ABOUT US

At Suscom we focus and strive to meet our client's demands, for this reason, our in-house facilities allow us to be flexible and give us greater control over quality.

We believe that design and innovation is the key to our success. Our new production facilities is the first of its kind, with the option of automated castor fitting allowing us to tailor each product to suit our clients requirements.

As a company focused on lowering our environmental impact, it is important that our products also incorporate and reflect this ethos. With all of this in mind we have modified and updated many products to make them 100% recyclable.



BASICS | FRAMES



FME-STD.C.SP.BLK
- Black Cantilver Frame 25mm
- Includes 6 feet fitted



FME-STD.C.SP.CRM
- Chrome Cantilver Frame 25mm
- Includes 6 feet fitted



MEC-BB.SMALL
- Small back bar



MEC-BEL.SMALL
- Small bellow

BASICS | PLAY SERIES

PLAY.C.M | BOM

- FME-PLAY.CHR.CAN (CHROME CANTILEVER FRAME)
- ARM-PP.PLAY X2 (PLAY ARMPAD)
- FME-PLAY.PIC.P2P (FEET & WELD COVER KIT)
- SEA-PLAY (SEAT PLAY)
- SHR-SS.PLAY (SEAT SHROUD PLAY)
- BACK-MIB.PLAY (MEDIUM BACK INNER PLAY)
- BACK-MOB.PLAY (MEDIUM BACK OUTER PLAY)



PLAY.C.H | BOM

- FME-PLAY.CHR.CAN (CHROME CANTILEVER FRAME)
- ARM-PP.PLAY X2 (PLAY ARMPAD)
- FME-PLAY.PIC.P2P (FEET & WELD COVER KIT)
- SEA-PLAY (SEAT PLAY)
- SHR-SS.PLAY (SEAT SHROUD PLAY)
- BACK-HIB.PLAY (HIGH BACK INNER PLAY)
- BACK-HOB.PLAY (HIGH BACK OUTER PLAY)



PLAY.C.ME | BOM

- FME-PLAY.CHR.CAN (CHROME CANTILEVER FRAME)
- ARM-PP.PLAY X2 (PLAY ARMPAD)
- FME-PLAY.PIC.P2P (FEET & WELD COVER KIT)
- SEA-PLAY (SEAT PLAY)
- SHR-SS.PLAY (SEAT SHROUD PLAY)
- MESH-PLAY (MESH BACK FOR PLAY)



BASICS | PLAY SERIES

PLAY.4.M | BOM

- FME-PLAY.CHR.4L (CHROME CANTILEVER FRAME)
- ARM-PP.PLAY X2 (PLAY ARMPAD)
- FME-PLAY.CHR.CAP (4 FEET PLASTIC)
- SEA-PLAY (SEAT PLAY)
- SHR-SS.PLAY (SEAT SHROUD PLAY)
- BACK-MIB.PLAY (MEDIUM BACK INNER PLAY)
- BACK-MOB.PLAY (MEDIUM BACK OUTER PLAY)



PLAY.4.H | BOM

- FME-PLAY.CHR.4L (CHROME CANTILEVER FRAME)
- ARM-PP.PLAY X2 (PLAY ARMPAD)
- FME-PLAY.CHR.CAP (4 FEET PLASTIC)
- SEA-PLAY (SEAT PLAY)
- SHR-SS.PLAY (SEAT SHROUD PLAY)
- BACK-HIB.PLAY (HIGH BACK INNER PLAY)
- BACK-HOB.PLAY (HIGH BACK OUTER PLAY)



PLAY.4.ME | BOM

- FME-PLAY.CHR.4L (CHROME CANTILEVER FRAME)
- ARM-PP.PLAY X2 (PLAY ARMPAD)
- FME-PLAY.PIC.P2P (FEET & WELD COVER KIT)
- SEA-PLAY (SEAT PLAY)
- SHR-SS.PLAY (SEAT SHROUD PLAY)
- MESH-PLAY (MESH BACK FOR PLAY)



BASICS | ISO

CHR-ISO.BLK | BOM

- STK-ISO.FME.N (CHROME OVAL STACKING ISO FRAME)
- STK-ISO.BRI.PP (PP INNER BACK FOR ISO CHAIR)
- STK-ISO.BRO.PP (PP OUTER BACK FOR ISO CHAIR)
- STK-ISO.STO.PP (PP OUTER BACK FOR ISO CHAIR)
- STK-ISO.STI.PP (PP INNER BACK FOR ISO CHAIR)



CHR-ISO.CRM | BOM

- STK-ISO.FME.N (CHROME OVAL STACKING ISO FRAME)
- STK-ISO.BRI.PP (PP INNER BACK FOR ISO CHAIR)
- STK-ISO.BRO.PP (PP OUTER BACK FOR ISO CHAIR)
- STK-ISO.STO.PP (PP OUTER BACK FOR ISO CHAIR)
- STK-ISO.STI.PP (PP INNER BACK FOR ISO CHAIR)



BASICS | MECHS



170mm x 200mm



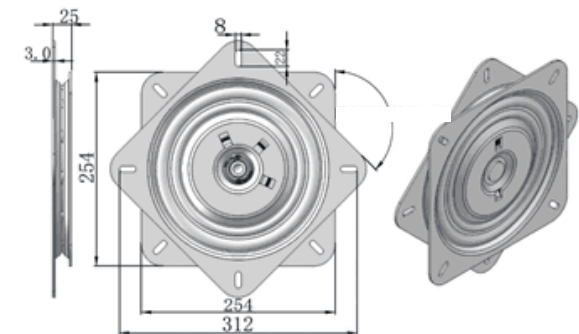
MEC-PSNRGAS.EC
170mm x 200mm



MEC-SP.CL
140mm x 140mm



MEC-SP.CRM.NL
140mm x 140mm



MEC-SP-AUTO
Auto Return Swivel

BASICS | EDUCATIONAL SEATS



SHR-OLBA.OUT
400mm x 363mm



SHR-OLBA.IN
390mm x 360mm



SEA-TORINO.OUT
435mm x 490mm



SEA-TORINO.IN
428mm x 375mm

BASICS | PLASTIC BACKS



BACK-LOB.DOLCE
395mm x 342mm



BACK-MOB.DOLCE
432mm x 398mm



BACK-HOB.DOLCE
448mm x 498mm



BACK-EXHOB.DOLCE
485mm x 585mm



BACK-HOB.TOULOUSE
438mm x 424mm



BACK-MOB.APPLE
446mm x 450mm



BACK-HOB.APPLE
446mm x 541mm

BASICS | SPINDLE



SPN-MAN.190
7" Man Spindle
50 x 180 x 28mm



SPN-MAN.235
9" Man Spindle
50 x 235 x 28mm

HEIGHT ADJUSTABLE MANUAL SPINDLES

AVAILABLE IN 40 AND 50MM TUBES,
ALSO AVAILABLE IN CHROME.

BASICS | BASES



BAS-US.K700.C
27" Chromed Steel

BAS-US.COVERK700.CHROME
Dust Cover in Chrome for K700 Base

BASICS | PU

CHR-PU.BOX
COMPACTY PU STOOL
HEIGHT RANGE 440-630MM



PU-SIT.STURDY
ADJUSTABLE HEIGHT SIT STAND
HEIGHT RANGE 600-850MM



CHR-PU.TILT | HEIGHT RANGE 510-710mm

- B-1-640.38.50 (NYLON BASE WITH RING)
- KGL.32105030S433 (12 X 50 BLACK GAS CLASS 4)
- MEC-IS.1312-PO (TILTING MEC FOR SITSTAND)
- PU-SEA.WF3 (PU SEAT - BLACK - 20 HOLES)



CHR-PU-OP.WF3 | HEIGHT RANGE 420- 620mm

- B-1-640.38.50 (NYLON BASE WITH RING)
- KGL.32705030S432 (8 X 50 14MM BLACK GAS)
- PU-BACK.WF3 (BLACK PU BACKREST)
- PU-SEA.WF3 (PU SEAT - BLACK - 20 HOLES)
- PU-BACK.COV.100 (PLASTIC COVER BACK)
- PU-BACL.BRK.100 (STEEL BRACKET BACK)
- PU-BACK.BRK.C (PLASTIC BRACKET COVER FOR BACK)
- MEC-BB02 (OVAL BACK BAR T SECTION)
- MEC-2LEVER.PUEURO (2LEVER MECHANISM)



BASICS | PU

CHR-PU-DRA.TULIP | HEIGHT RANGE 580-840mm

- B-1-640.38.50 (NYLON BASE WITH RING)
- KGL.32705030S432 (14 X 50 BLACK GAS)
- PU-BACK.WF3 (BLACK PU BACKREST)
- PU-SEA.WF3 (PU SEAT - BLACK - 20 HOLES)
- PU-BACK.COV.100 (PLASTIC COVER FOR BACK)
- PU-BACL.BRK.100 (STEEL BRACKET BACK)
- PU-BACK.BRK.C (PLASTIC BRACKET COVER FOR BACK)
- MEC-BB02 (OVAL BACK BAR T SECTION)
- FR-1 (FOOTRING - PP CROSS)
- MEC-2LEVER.PUEURO (2LEVER MECHANISM)



CHR-PU-OP.TULIP | HEIGHT RANGE 420-560mm

- B-1-640.38.50 (NYLON BASE WITH RING)
- KGL.32705030S432 (8 X 50 14MM BLACK GAS)
- PU-BACK.TULIP (PU TULIP BACKREST BLACK)
- PU-SEA.TULIP (PU TULIP SEAT BLACK)
- PU-BACK.COV.100 (PLASTIC COVER BACK)
- PU-BACL.BRK.100 (STEEL BRACKET FOR BACK)
- PU-BACK.BRK.C (PLASTIC BRACKET COVER FOR BACK)
- MEC-BB02 (OVAL BACK BAR T SECTION)
- MEC-2LEVER.PUEURO (2LEVER MECHANISM)



CHR-PU-DRA.TULIP | HEIGHT RANGE 560-820mm

- B-1-640.38.50 (NYLON BASE WITH STEEL RING)
- KGL.32705030S432 (14 X 50 BLACK GAS)
- PU-BACK.TULIP (PU TULIP BACKREST BLACK)
- PU-SEA.TULIP (PU TULIP SEAT BLACK)
- PU-BACK.COV.100 (PLASTIC COVER FOR BACK)
- PU-BACK.BRK.100 (STEEL BRACKET FOR BACK)
- PU-BACK.BRK.C (PLASTIC BRACKET COVER FOR BACK)
- MEC-BB02 (OVAL BACK BAR T SECTION)
- FR-1 (FOOTRING - PP CROSS)
- MEC-2LEVER.PUEURO (2LEVER MECHANISM)



BASICS | EDUCATIONAL

- MEC-BB.PUSHB (PUSH BUTTON BACKBAR)
- MEC-PUSHB.LEVER (GAS LEVER PLATE FOR BUTTON)
- SHR-PUSHB.OUTER (PUSH BUTTON SEAT OUTER SHROUD)
- MEC-IS.BR350 (BR350 BACKREST BELLOW)
- SEA-PUSHB.INNER (PUSH BUTTON INNER PLY)
- SHR-PUSHB.BUTTON (SEAT BUTTON)



BASICS | EXTRAS



MEC-VLPE.KIT
Handwheel M8 for Seatplate



Suscom Industries Ltd.

Unit 8 Leopold Street | Lamberhead Ind. Estate
Pemberton | Wigan | WN5 8DH | United Kingdom

Web | www.suscom-ind.co.uk

Telephone | +44 (0)1942 221133

Email | sales@suscom-ind.co.uk

